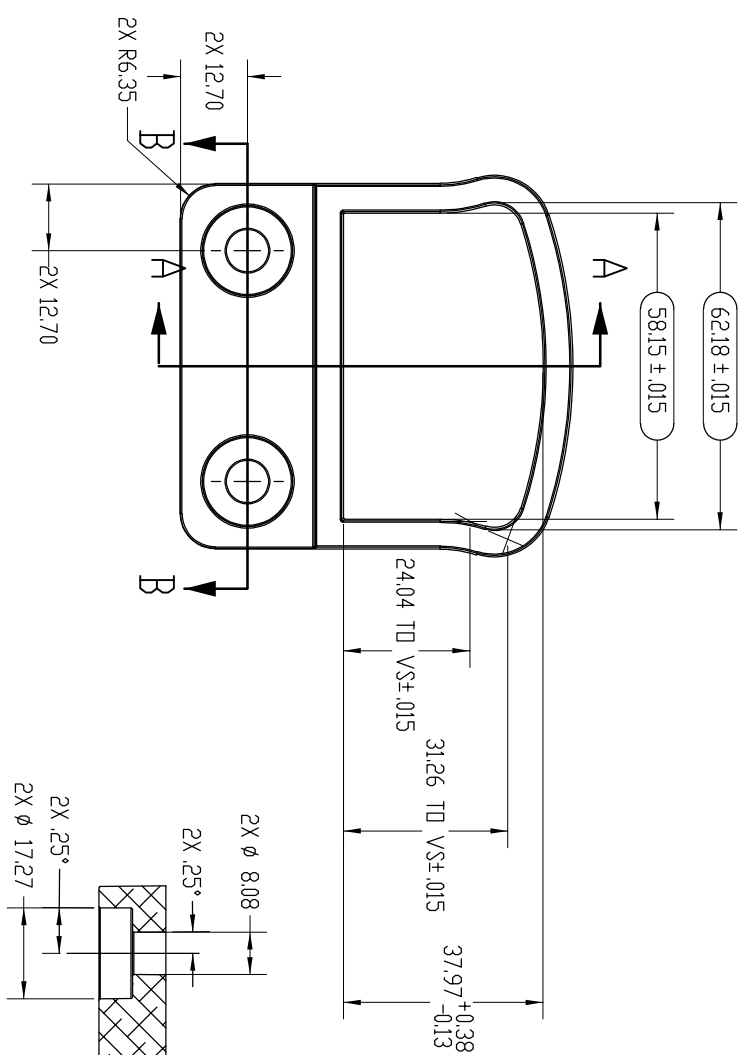
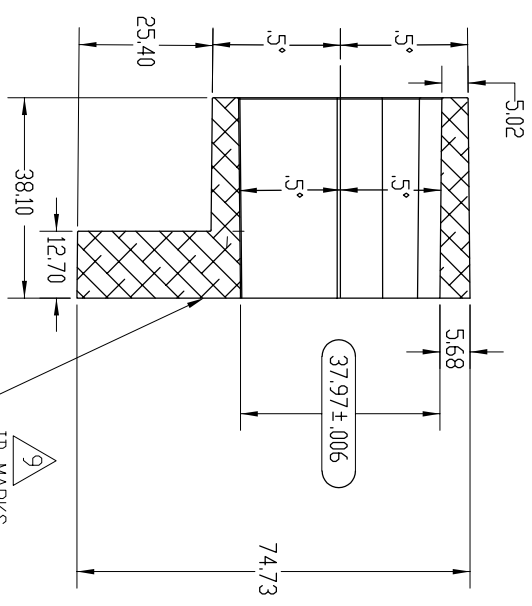


REVISIONS - 0 BALLBOONS DENOTE CHANGES			
REV.	DESCRIPTION	DATE	APPROVED
A		6/4/2021	



SECTION B-B



SECTION A-A

- NOTES:
- UNSPECIFIED DIMENSIONS AND DRAFT ANGLES ARE PER 3D CAD MODEL. THE MODEL IS THE MASTER.
  - MUST BE FREE FROM FLASH AND SHARP EDGES.
  - NOMINAL WALL THICKNESS 5.029MM.
  - INDICATES A CRITICAL DIMENSION.
  - STANDARD DRAFT ANGLE IS 5 DEG UNLESS STATED OTHERWISE.
  - ALL GATE AND EJECTOR PIN LOCATIONS TO BE APPROVED BY ULTRALOX PRIOR TO DIE MANUFACTURE.
  - DIMENSIONS APPLY BEFORE PAINT OR COATINGS, INSPECT PARTS BARE.
  - ALL UNSPECIFIED RADII MAX .254MM.
  - DEBOSS VERBIAGE IF NEEDED TO KEEP FROM STICKING OUT BUT ALSO ENSURE VERBIAGE DOES NOT SHOW THROUGH TO FINISHED SIDE.

UNLESS OTHERWISE SPECIFIED			
DIMENSIONS ARE IN MM	DRAWN	NAME	DATE
ITD ERRANCES	CHECKED	DRG	6/4/21
SURFACE FINISH .125 RMS	ENG APPR		
ANGULAR 5°	MFG APPR		
TWO PLACE DECIMAL ± .254			
THREE PLACE DECIMAL ± .127			
INTERPRET GEOMETRIC TOLERANCING PER	TWO PLACE DECIMAL ± .127		
MATERIAL	A369		
FINISH	A369		
DO NOT SCALE DRAWING			
TITLE:		WALL MOUNT CASTING	
SIZE DWG. NO.		B	
WEIGHT:		REV A	
SHEET 1 OF 1			



WALL MOUNT CASTING  
REVIVAL