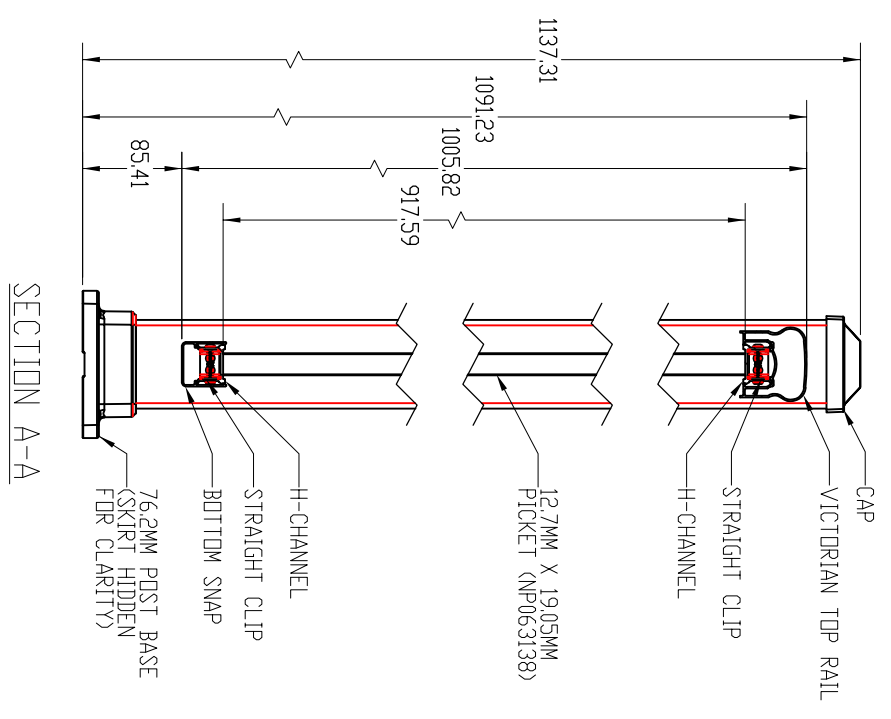
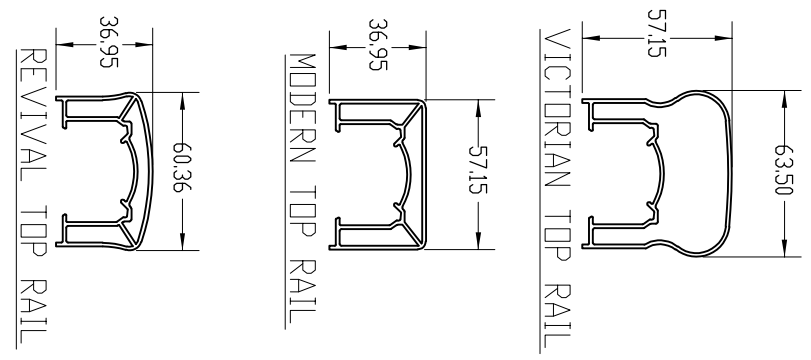
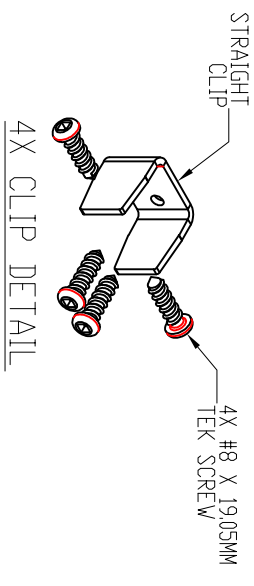
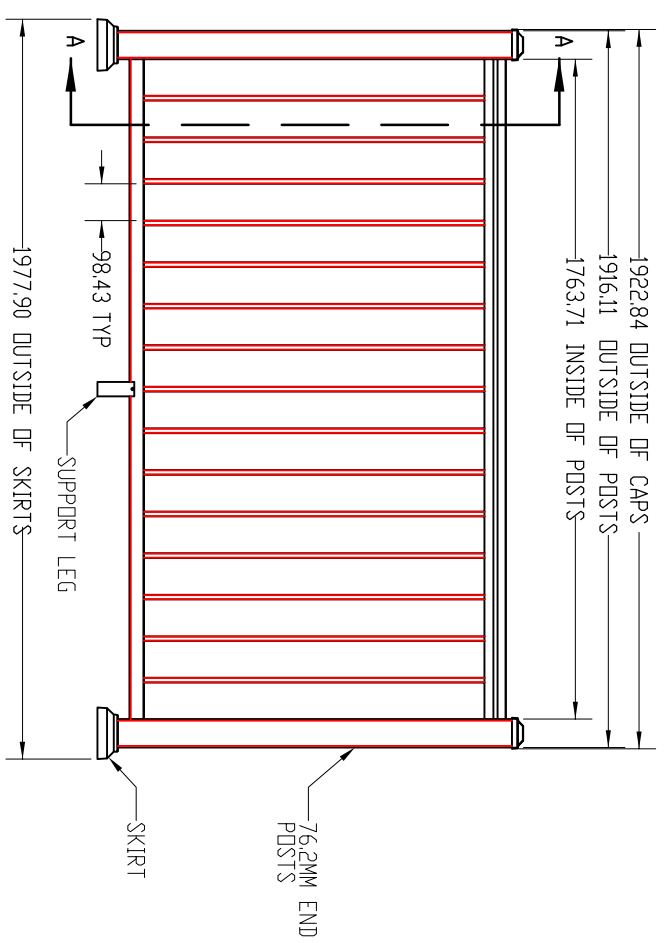


REVISIONS - BALCONY DENOTE CHANGES

REV.	DESCRIPTION	DATE	APPROVED
A		6/4/2021	



NOTES:
1. ALL RAIL MUST BE ASSEMBLED AND FASTENED IN ACCORDANCE WITH ULTRALOX'S INSTALLATION INSTRUCTIONS.
2. AVAILABLE COLORS ARE BLACK - WHITE - BRONZE.

UNLESS OTHERWISE SPECIFIED		NAME	DATE
DIMENSIONS ARE IN MM	DRAWN	DRG	6/4/21
TOLERANCES:	CHECKED		
SURFACE FINISH: 125 RMS	ENG APPR:		
ANGULAR: ± 5 DEG	WF G APPR:		
LINEAR: ± 0,25			
XXX ± 1/2"			
HARD ANGLE	INTERPRET GEOMETRIC TOLERANCING PER ASME Y14.5-2009		
MATERIAL	PROPRIETARY AND CONFIDENTIAL		
FINISH	THE INFORMATION CONTAINED IN THIS DRAWING IS THE SOLE PROPERTY OF Ultralox. ANY REPRODUCTION IN PART OR AS A WHOLE WITHOUT THE WRITTEN PERMISSION OF Ultralox.		
DO NOT SCALE DRAWING			



TITLE:		SIZE	DWG. NO.	REV
POST-TD-POST TOP RAIL PICKET INFILL - 76,2MM END POSTS BASE MOUNT - 1765MM SECTION		B		A
WEIGHT:				
SHEET	1 OF 1			