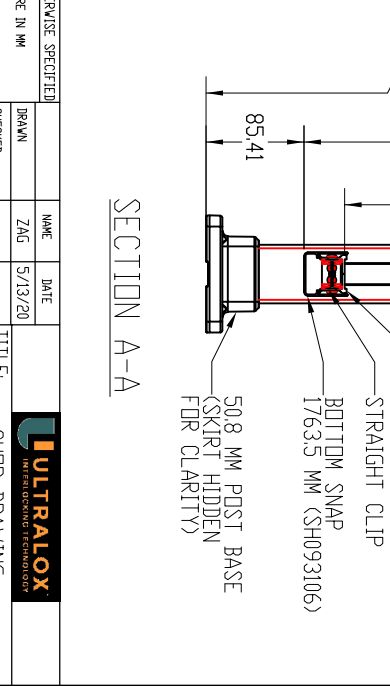
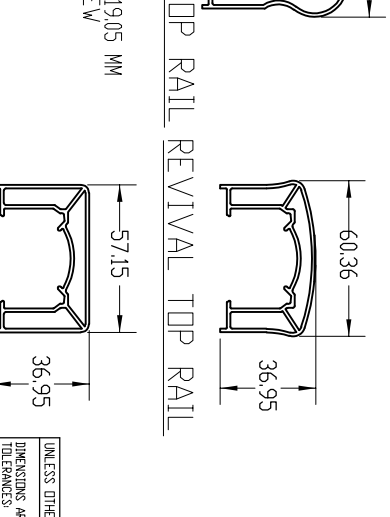
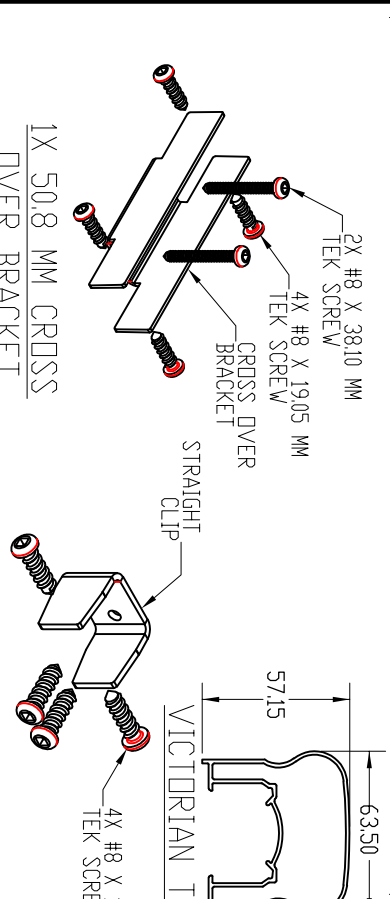
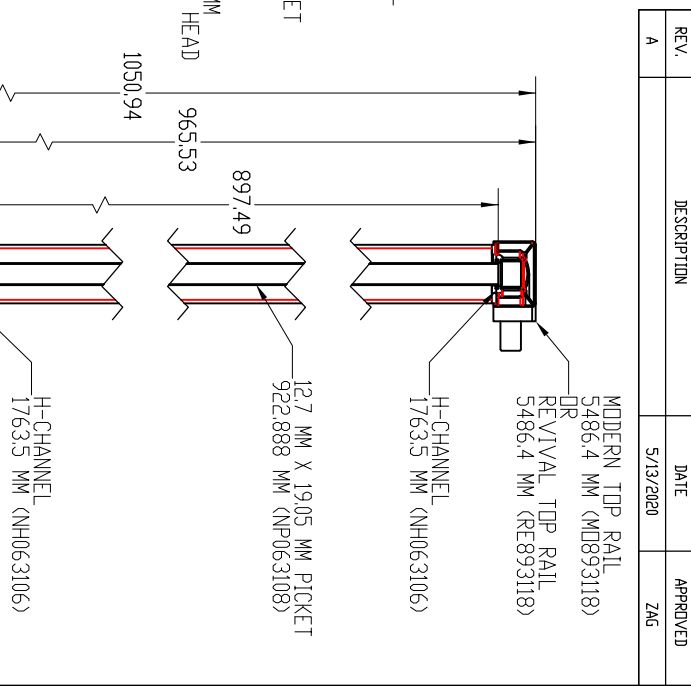
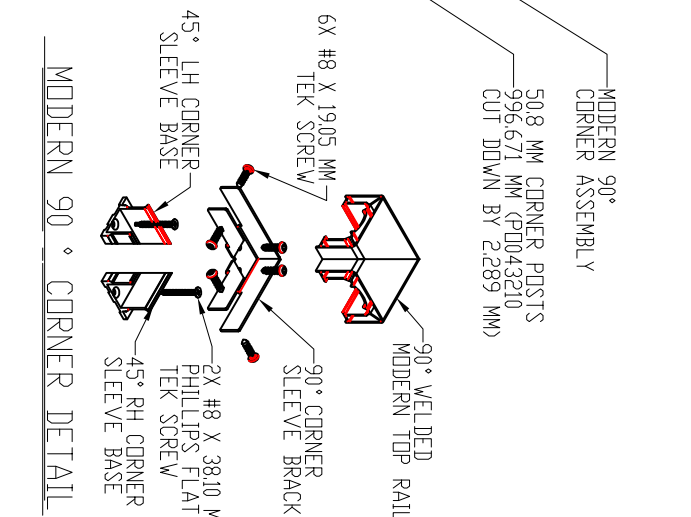
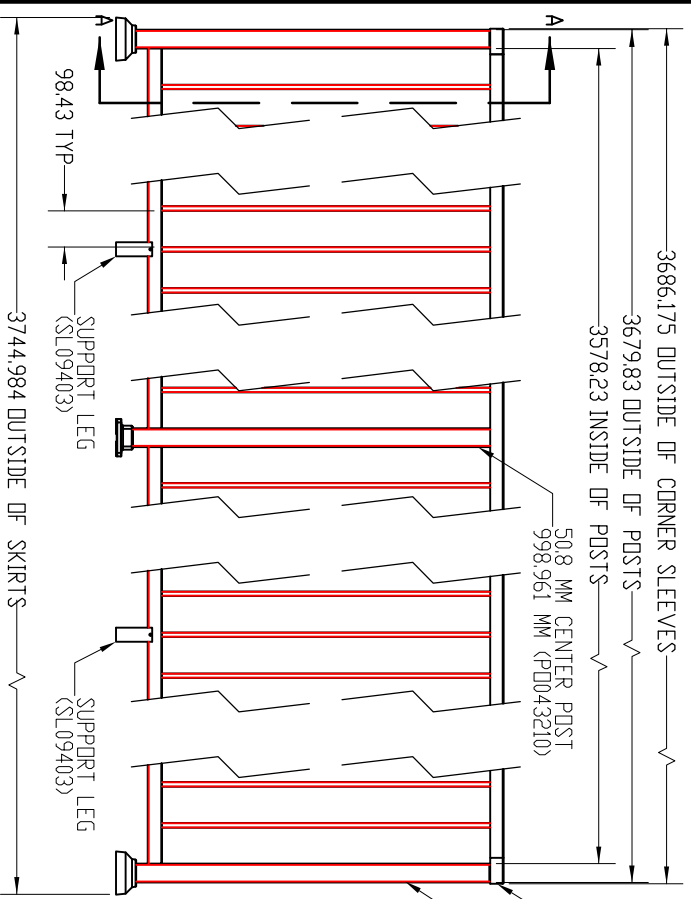
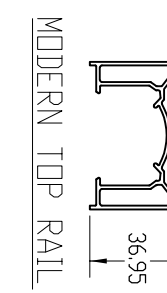
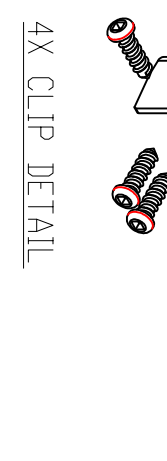


REVISIONS - BALLIONS DENOTE CHANGES			
REV.	DESCRIPTION	DATE	APPROVED
A		5/13/2020	ZAG



1X 50,8 MM CROSS OVER BRACKET (MOUNTS ON TOP OF CENTER POST)



NOTES:
 1. ALL RAIL MUST BE ASSEMBLED AND FASTENED IN ACCORDANCE WITH ULTRALOX'S INSTALLATION INSTRUCTIONS.
 2. AVAILABLE COLORS ARE BLACK - WHITE - BRONZE.

UNLESS OTHERWISE SPECIFIED			
DIMENSIONS ARE IN MM	DRAWN	NAME	DATE
TOLERANCES UNLESS OTHERWISE SPECIFIED	CHECKED	ZAG	5/13/20
ANGULAR ± 1°	ENG APPR		
THREE PLACE DECIMAL ± 0,254	MFG APPR		
TWO PLACE DECIMAL ± 0,127			
INTERPRET GEOMETRIC TOLERANCING PER	HARD ANGLE PROJECTION		
MATERIAL	PROPRIETARY AND CONFIDENTIAL		
FINISH	THE INFORMATION CONTAINED IN THIS DRAWING IS THE SOLE PROPERTY OF PART OR AS A WHOLE WITHOUT THE WRITTEN PERMISSION OF Ultralox IS FURNISHED		
DO NOT SCALE DRAWING			
TITLE		SIZE	REV
SHIP DRAWING, CONTINUOUS TOP RAIL, 1000MM PICKETS, 50,8MM POSTS, 1765MM SECTIONS		DWG. NO.	A
		WEIGHT:	
		SHEET	1 OF 1