

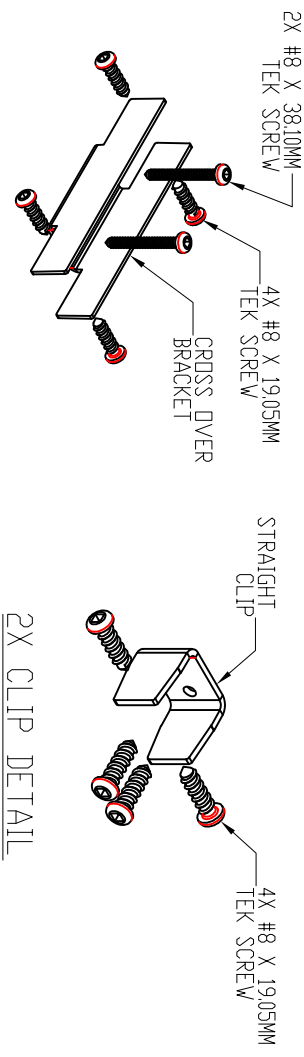
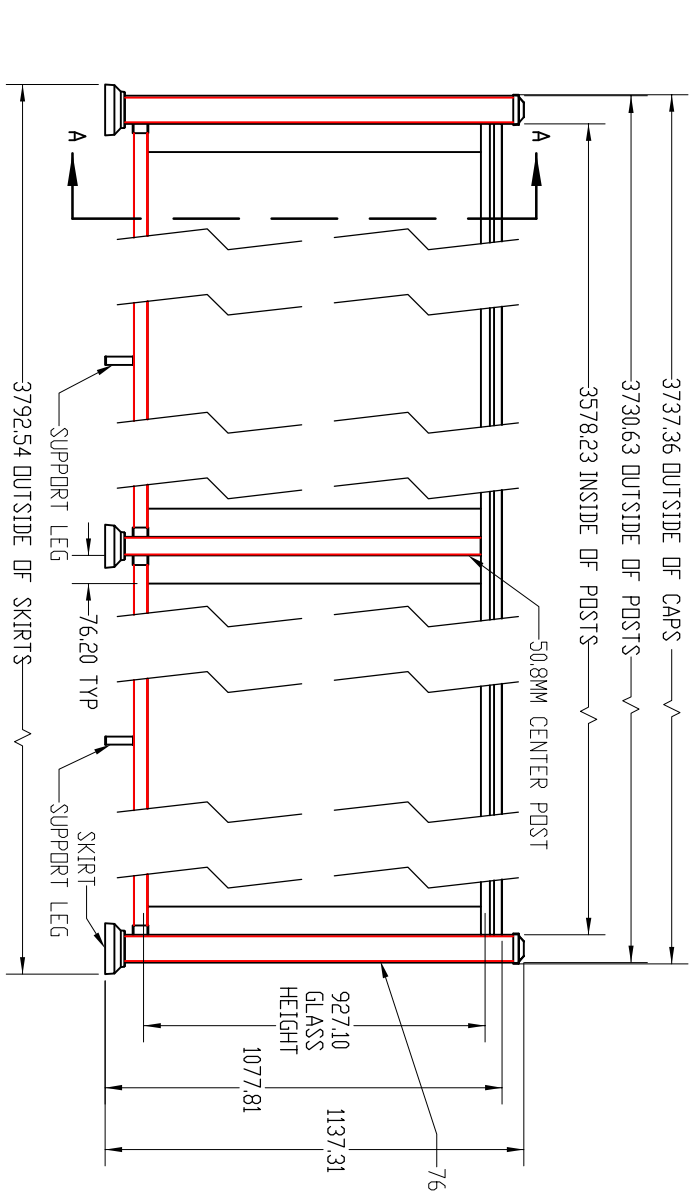
4

3

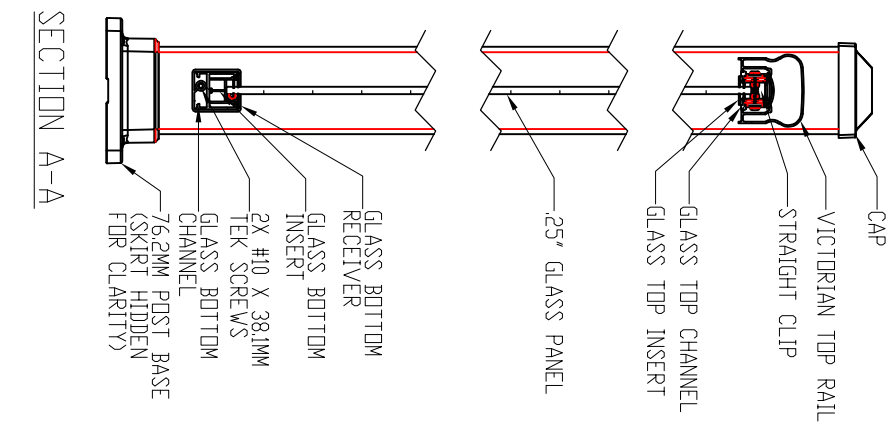
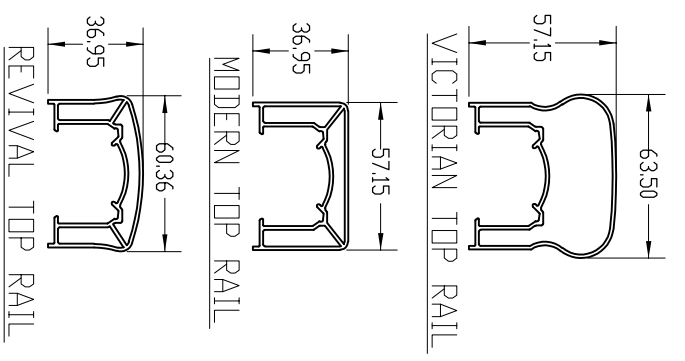
2

1

REVISIONS - BALLIONS DENOTE CHANGES			APPROVED
REV.	DESCRIPTION	DATE	
A		6/4/2021	



NOTES:  
 1. ALL RAIL MUST BE ASSEMBLED AND FASTENED IN ACCORDANCE WITH ULTRALOX'S INSTALLATION INSTRUCTIONS.  
 2. AVAILABLE COLORS ARE BLACK - WHITE - BRONZE.



UNLESS OTHERWISE SPECIFIED		NAME	DATE
DIMENSIONS ARE IN MM	DRAWN	DRG	6/4/21
TOLERANCES	CHECKED		
SURFACE FINISH: 125 RMS	ENG APPR		
ANGLE: .5° DED	MFG APPR		
LINE: XX 4:234			
LINE: XX 1:127			
THIRD ANGLE PROJECTION	INTERNET GENETRIC TOLERANCING PER ASME Y14.5-2009		
WATERMARK	PROPRIETARY AND CONFIDENTIAL. THE INFORMATION CONTAINED IN THIS DRAWING IS THE SOLE PROPERTY OF ULTRALOX. ANY REPRODUCTION IN PART OR AS A WHOLE WITHOUT THE WRITTEN PERMISSION OF ULTRALOX.		
FINISH			
DO NOT SCALE DRAWING			

TITLE: COMBINATION TOP RAIL  
 GLASS INFILL - 76.2MM END POSTS  
 50.8MM CENTER POST - BASE MOUNT  
 17.5MM SECTIONS



SIZE	DWG. NO.	REV
B		A
WEIGHT:		SHEET 1 OF 1

4

3

2

1