

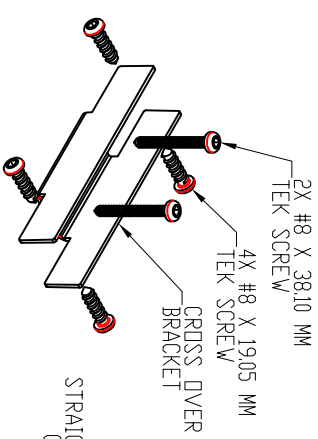
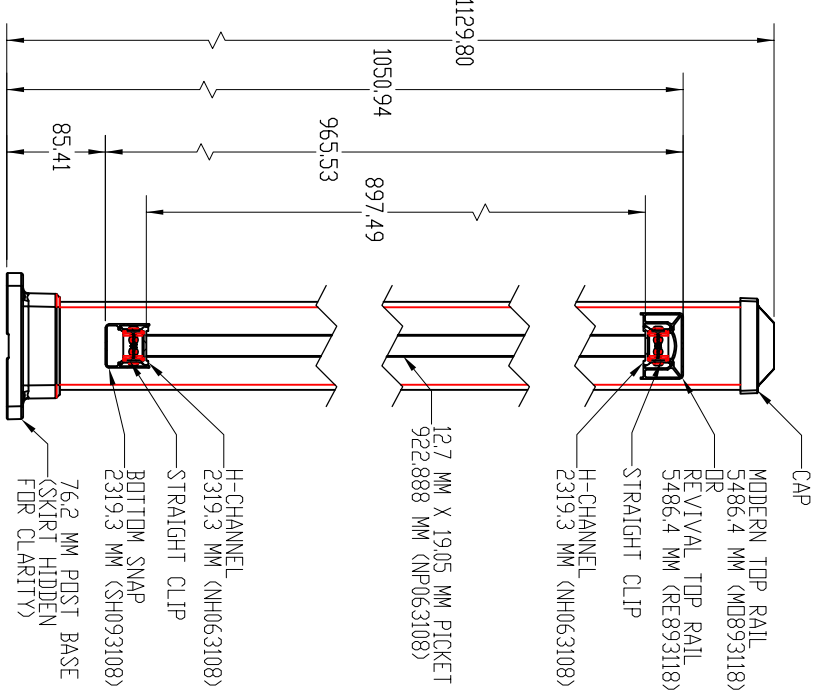
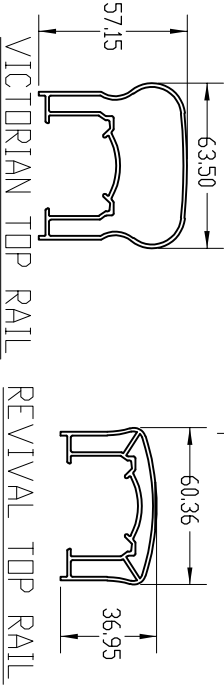
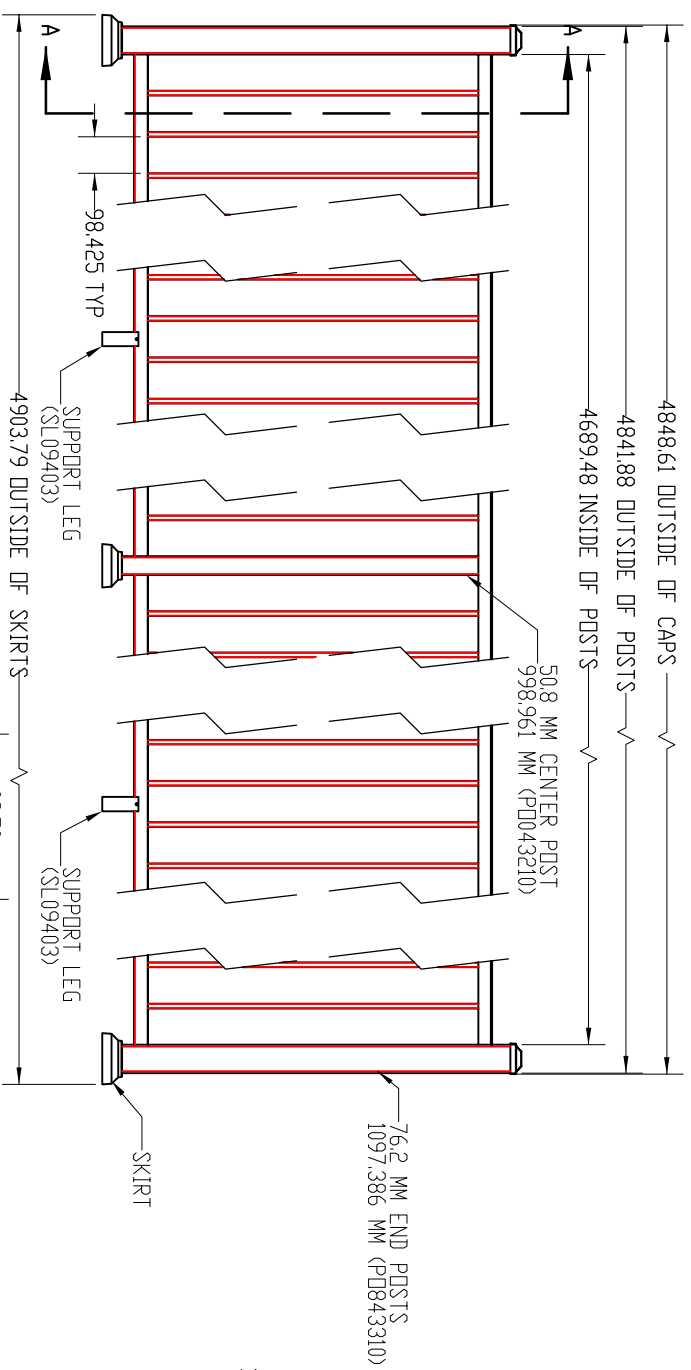
4

3

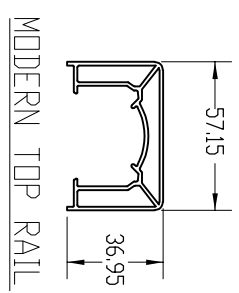
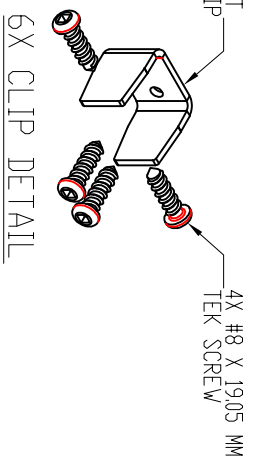
2

1

REVISIONS - BALLIONS DENOTE CHANGES			
REV.	DESCRIPTION	DATE	APPROVED
A		5/13/2020	ZAG



1X 50.8 MM CROSS OVER BRACKET (MOUNTS ON TOP OF CENTER POST)



SECTION A-A

NOTES:
1. ALL RAIL MUST BE ASSEMBLED AND FASTENED IN ACCORDANCE WITH ULTRALOX'S INSTALLATION INSTRUCTIONS.
2. AVAILABLE COLORS ARE BLACK - WHITE - BRONZE.

DIMENSIONS ARE IN MM UNLESS OTHERWISE SPECIFIED		TOLERANCES	
DIMENSIONS ARE IN MM	DRAWN	ZAG	DATE 5/13/20
SURFACE FINISH: 125 RMS	CHECKED		
ANGLE: ± 254	ENG APPR		
FLAT PLACE DECIMAL: ± .127	MFG APPR		
THIRD ANGLE PROJECTION			
INTERPRET DIMENSIONS PER			
MATERIAL	PROPRIETARY AND CONFIDENTIAL THE INFORMATION CONTAINED IN THIS DRAWING IS THE SOLE PROPERTY OF ULTRALOX OR AS A TRADE SECRET OR AS A TRADE SECRET. PERMISSION OF Ultralox IS FORBIDDEN.		
FINISH	DO NOT SCALE DRAWING		
SIZE DWG: MD	TITLE: SHOP DRAWING, COMBINATION TOP RAIL, 1000MM PICKETS, 76.2MM END POSTS, 50.8MM CENTER POST, 2320MM SECTIONS		
REV A	WEIGHT:		SHEET 1 OF 1



4

3

2

1