

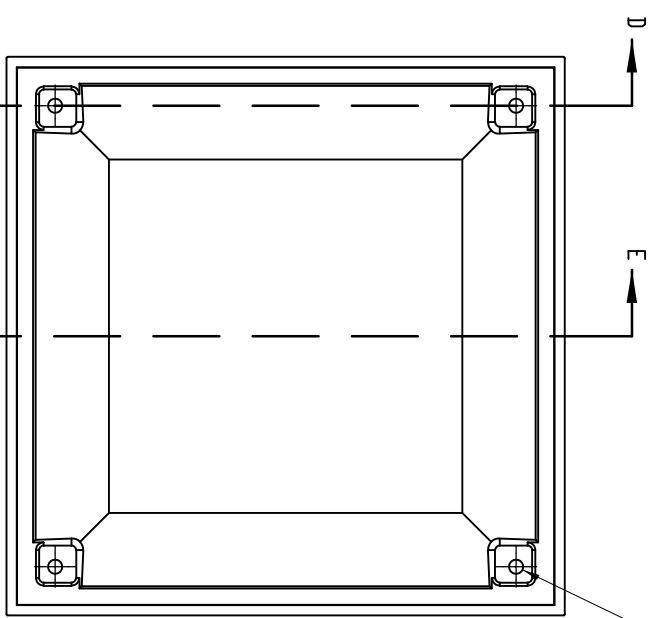
4

3

2

1

REVISIONS - 0 BALLONS DENOTE CHANGES			
REV.	DESCRIPTION	DATE	APPROVED
A		6/4/2021	

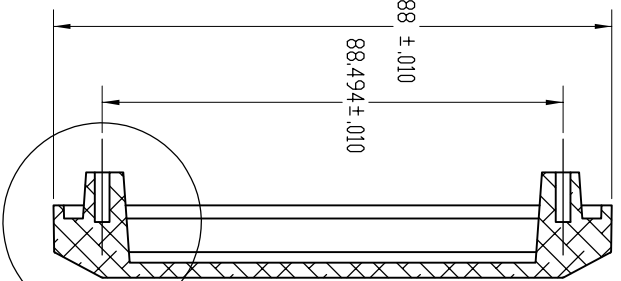


4X Ø 2.794 UNF 9.525
6-.794 UNC T 8.89

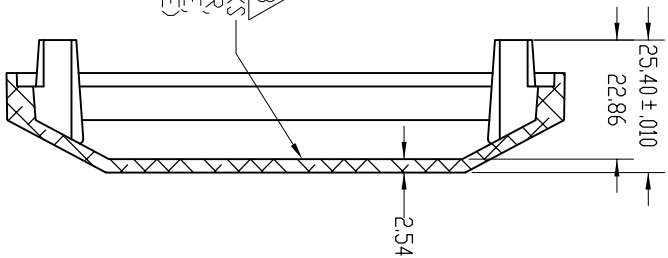
107.188 ± .010

88.494 ± .010

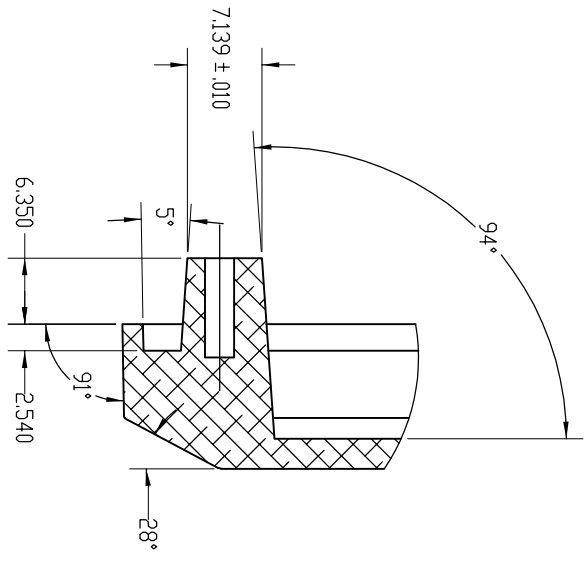
SECTION D-D



ID MARKS
(PART NUMBER,
COMPANY NAME,
REVISION, & DATE)



SECTION E-E



DETAIL F

- NOTES:
1. BREAK ALL CORNERS .254MM
 2. PART TO BE FREE OF FLASH OR BURRS.
 3. ENSURE VERBIAGE DOES NOT SHOW THROUGH TO FINISHED SIDE

UNLESS OTHERWISE SPECIFIED		DIMENSIONS ARE IN MM	
TOLERANCES:		BRAUN	
SURFACE FINISH: 125 RMS		NAME	
LENGTH: XX ±.254		DRC	
LENGTH: XXX ±.127		DATE	
TUMBLER ANGLE		DATE	
PROJECTION		6/4/21	
MATERIAL: A380		CHECKED	
FINISH: -		ENG. APPR.	
DO NOT SCALE DRAWING		MFG. APPR.	
INTERPRET DIMENSIONS PER: ASME Y14.5-2009		TITLE:	
PROPRIETARY AND CONFIDENTIAL		LIGHT TOP CAP,	
THE INFORMATION CONTAINED IN THIS		76.2MM POST	
DRAWING IS THE SOLE PROPERTY OF		SIZE DWG. NO.	
ULTRALOX. ANY REPRODUCTION IN PART		B	
OR AS A WHOLE WITHOUT THE WRITTEN		REV	
PERMISSION OF ULTRALOX.		A	
		SHEET 1 OF 1	



4

3

2

1