

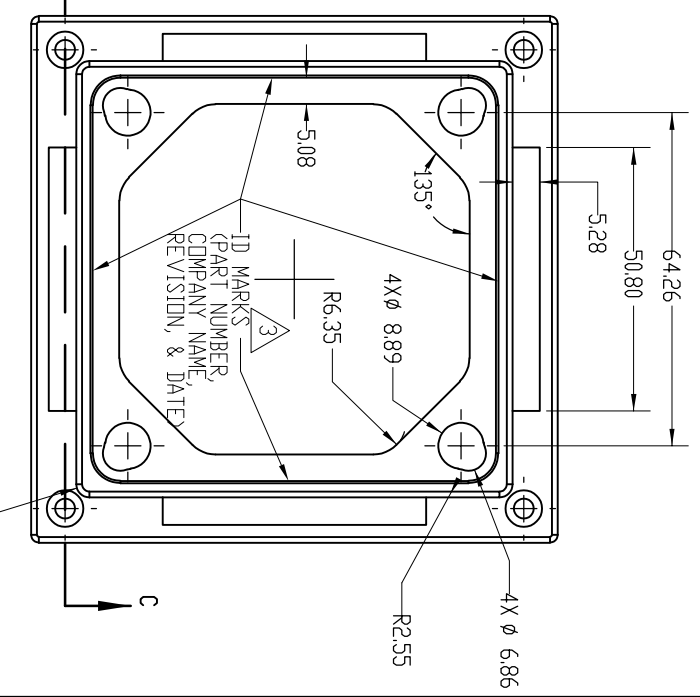
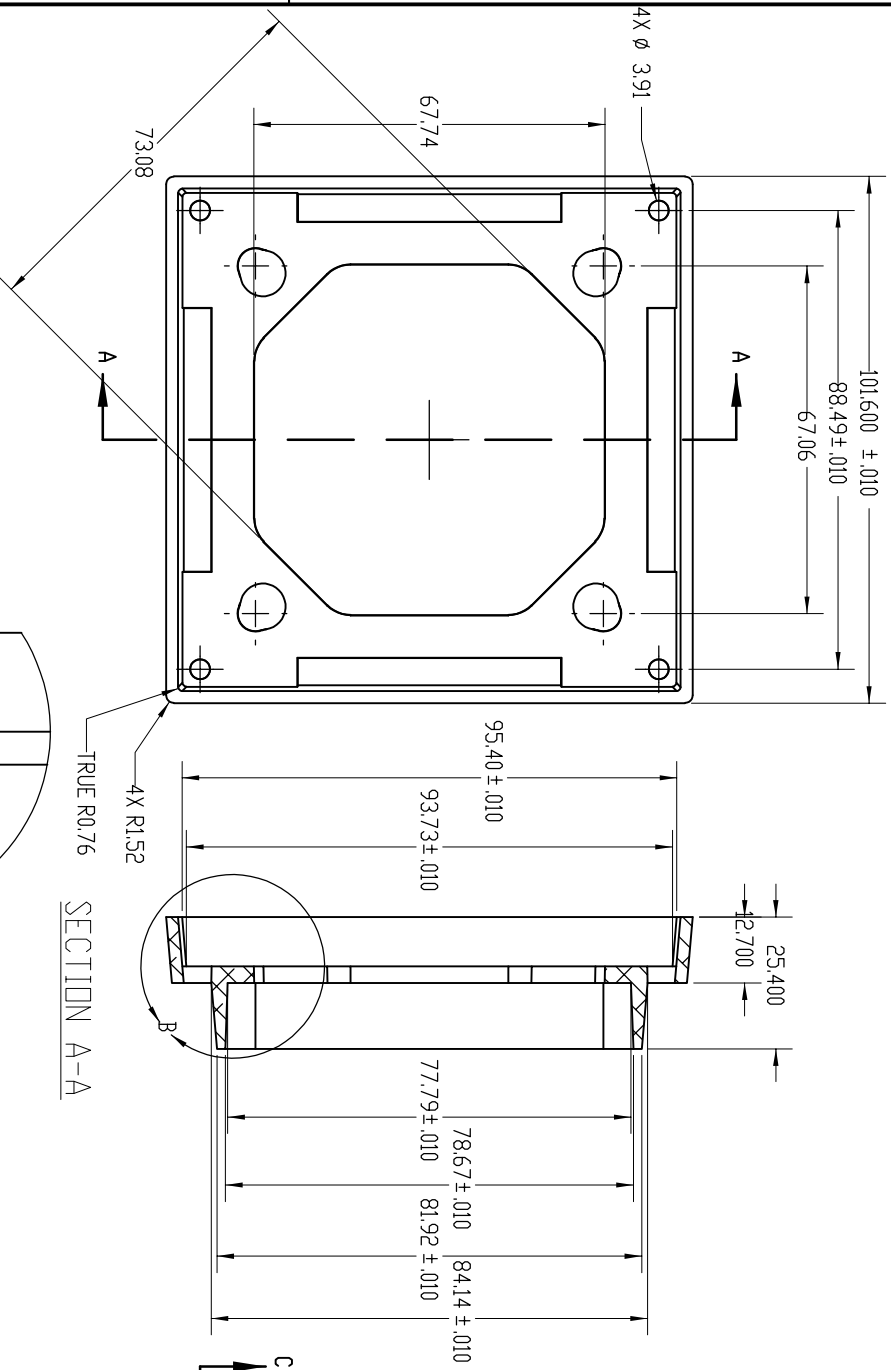
4

3

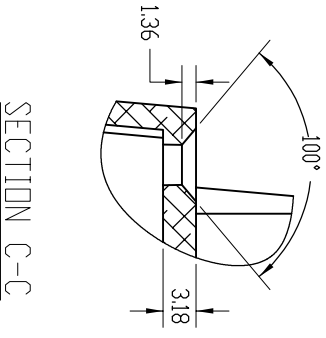
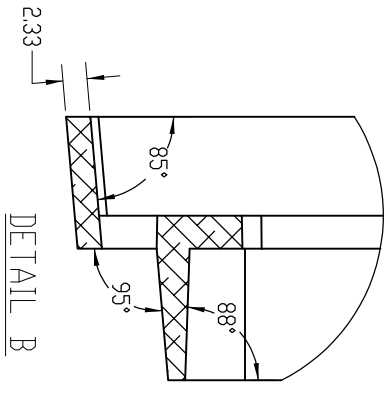
2

1

REVISIONS - 0 BALLBOUNDS DENOTE CHANGES			
REV.	DESCRIPTION	DATE	APPROVED
A		6/4/2021	



NOTE:
 1) BREAK ALL CORNERS .254MM
 2) PART TO BE FREE OF FLASH OR BURRS.
 3) ENSURE VERBAGE DOES NOT SHOW THROUGH TO FINISHED SIDE



SECTION A-A

SECTION C-C

UNLESS OTHERWISE SPECIFIED			
DIMENSIONS ARE IN MM	DRAWN	NAME	DATE
TOLERANCES:	CHECKED	DATE	6/4/21
SURFACE FINISH: 125 RMS	ENG APPR.		
ANGLE: XX ± .5°	MFG APPR.		
LINE: .XXX ± .127			
HARD ANGLE	INTERPRET GENERIC TOLERANCING PER ASME Y14.5-2009		
MATERIAL: A380	PROPRIETARY AND CONFIDENTIAL		
FINISH: DO NOT SCALE DRAWING	THE INFORMATION CONTAINED IN THIS DRAWING IS THE SOLE PROPERTY OF UltraLok. ANY REPRODUCTION IN PART OR AS A WHOLE WITHOUT THE WRITTEN PERMISSION OF UltraLok.		
TITLE:		SIZE	DWG. NO.
LIGHT BOTTOM CAP,		B	
76.2MM PST		WEIGHT:	REV A
			SHEET 1 OF 1



76.2MM PST

LIGHT BOTTOM CAP,

SIZE DWG. NO. B

REV A

4

3

2

1

A

B

A

B