

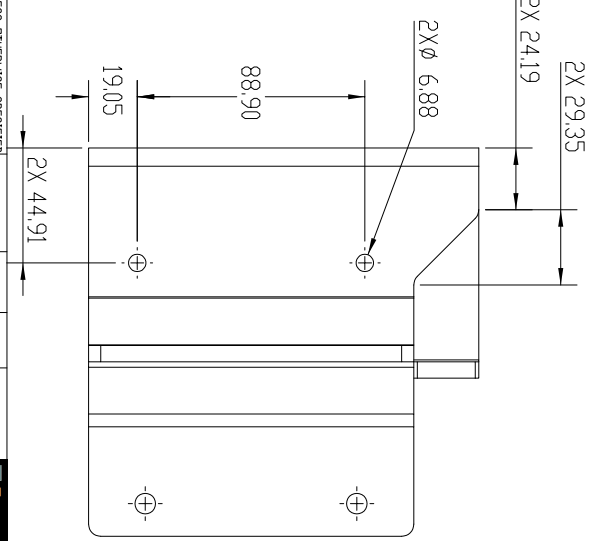
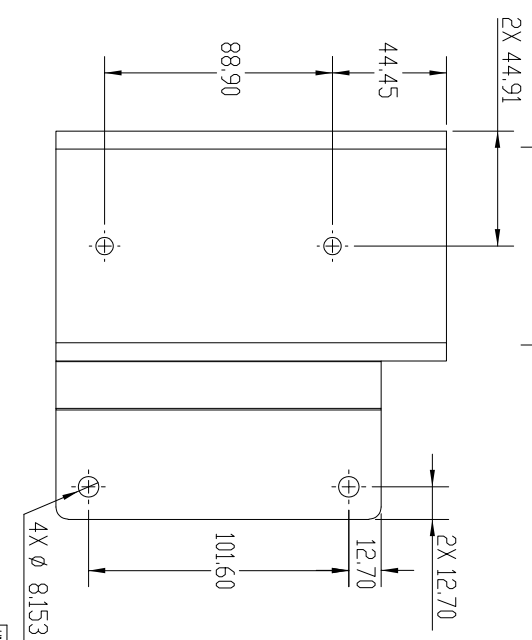
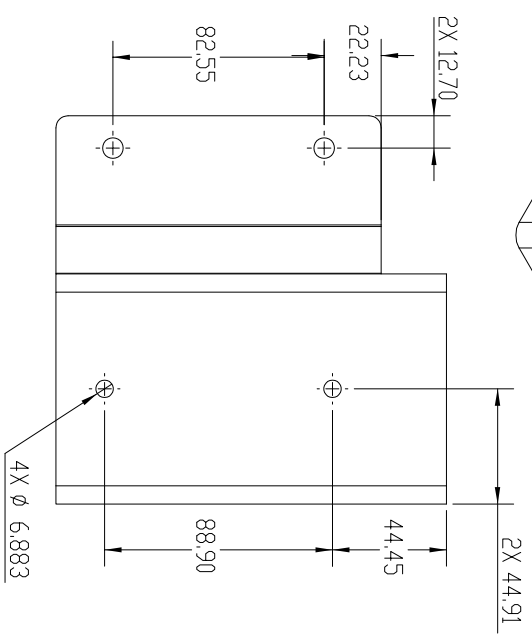
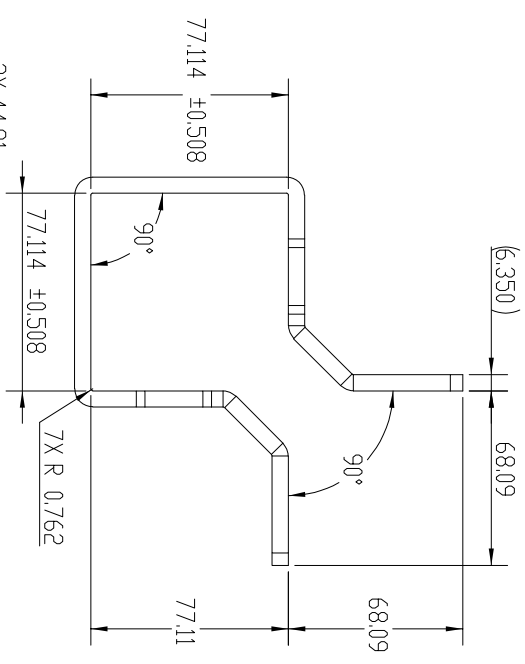
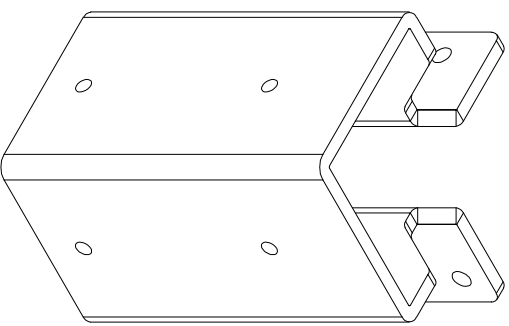
4

3

2

1

REVISIONS - 0 BALLONS DENDIE CHANGES			
REV.	DESCRIPTION	DATE	APPROVED
A		6/4/2021	



NOTES:
1. PART MUST BE FREE OF BURRS AND SHARP EDGES.

4

3

2

1



TITLE:
76.2MM POST OUTSIDE 90°
CORNER BRACKET

UNLESS OTHERWISE SPECIFIED		NAME	DATE	PROPRIETARY AND CONFIDENTIAL THE INFORMATION CONTAINED IN THIS DRAWING IS THE SOLE PROPERTY OF ULTRALOX. ANY REPRODUCTION IN PART OR AS A WHOLE WITHOUT THE WRITTEN PERMISSION OF ULTRALOX.	SIZE	DWG. NO.	REV
DIMENSIONS ARE IN MM		BRANN	6/4/21		B		A
TOLERANCES:		CHECKED					
SURFACE FINISH: 125 RMS		ENG APPR:					
ANGULAR: ±3° DIA		MFG APPR:					
LINEAR: .XX ±.127		INTERPRET GEOMETRIC TOLERANCING PER ASME Y14.5-2009					
THIRD ANGLE PROJECTION							
MATERIAL: S052 H-32							
FINISH: NONE							
DO NOT SCALE DRAWING							

SHEET 1 OF 1