

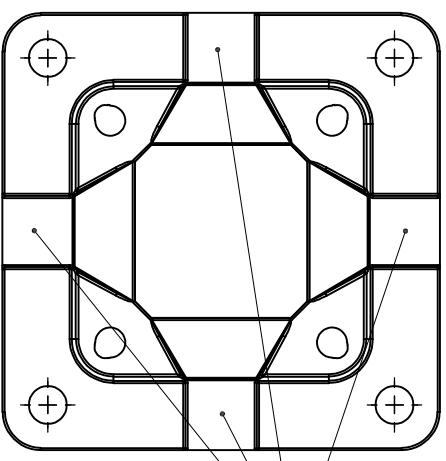
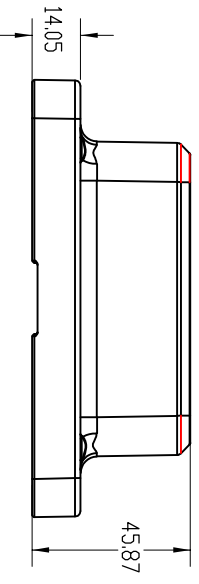
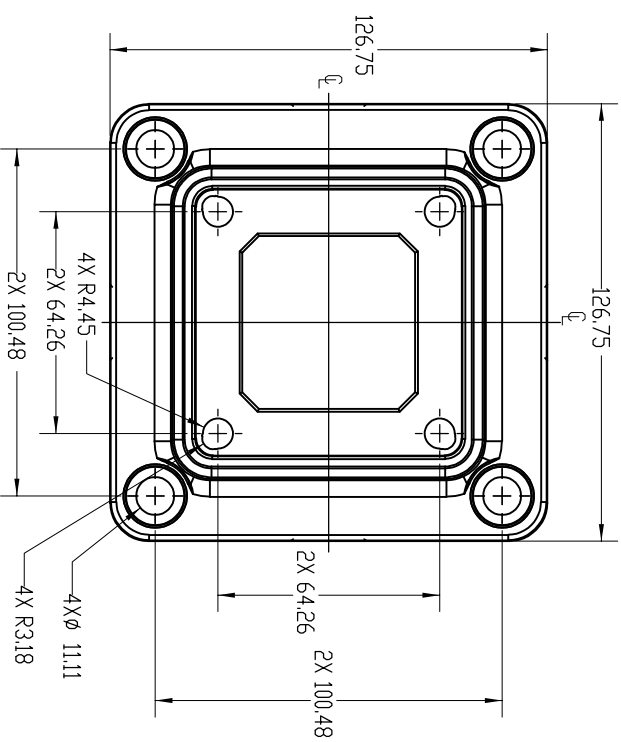
4

3

2

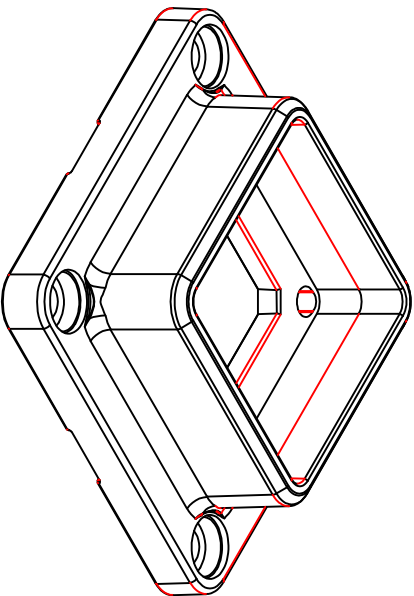
1

REVISIONS - 0 BALLOONS DENOTE CHANGES			
REV.	DESCRIPTION	DATE	APPROVED
A		6/4/2021	



⚠ ID MARKS
(PART NUMBER,
COMPANY NAME,
REVISION, & DATE)

NOTES:
1. ENSURE VERBIAGE DOES NOT SHOW THROUGH TO FINISHED SIDE



UNLESS OTHERWISE SPECIFIED			
DIMENSIONS ARE IN MM	DRAWN	NAME	DATE
TOLERANCES UNLESS OTHERWISE SPECIFIED	CHECKED		6/4/21
ANGULAR ±0.254	ENG APPR		
LINEAR .XXX ±127	WFS APPR		
THIRD ANGLE PROJECTION	INTERPRET GEOMETRIC TOLERANCING PER ASME Y14.5-2009		
MATERIAL A369	PROPRIETARY AND CONFIDENTIAL		
FINISH	THE INFORMATION CONTAINED IN THIS DRAWING IS THE SOLE PROPERTY OF PART 76.2MM AND SHALL BE KEPT IN CONFIDENTIALITY WITHOUT THE WRITTEN PERMISSION OF ULTRALOX		
DO NOT SCALE DRAWING			

TITLE:
ULTRALOX
76.2MM BASE PLATE

SIZE DWG. NO. B
REV A

WEIGHT: SHEET 1 OF 1

4

3

2

1

B

B

A

A