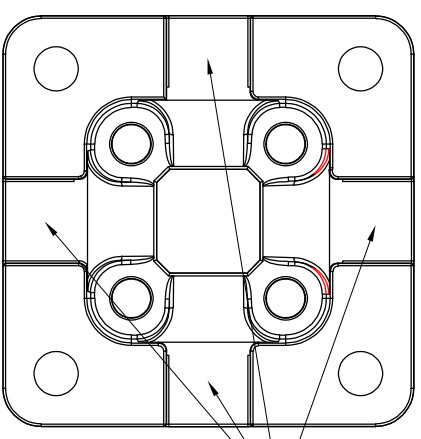
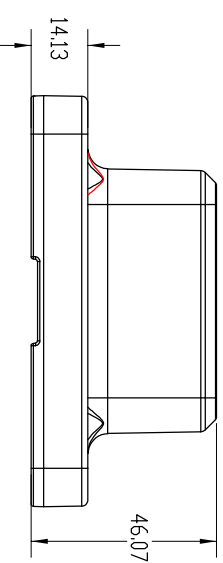
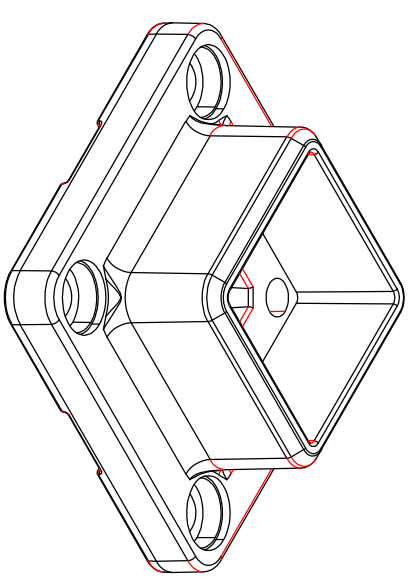
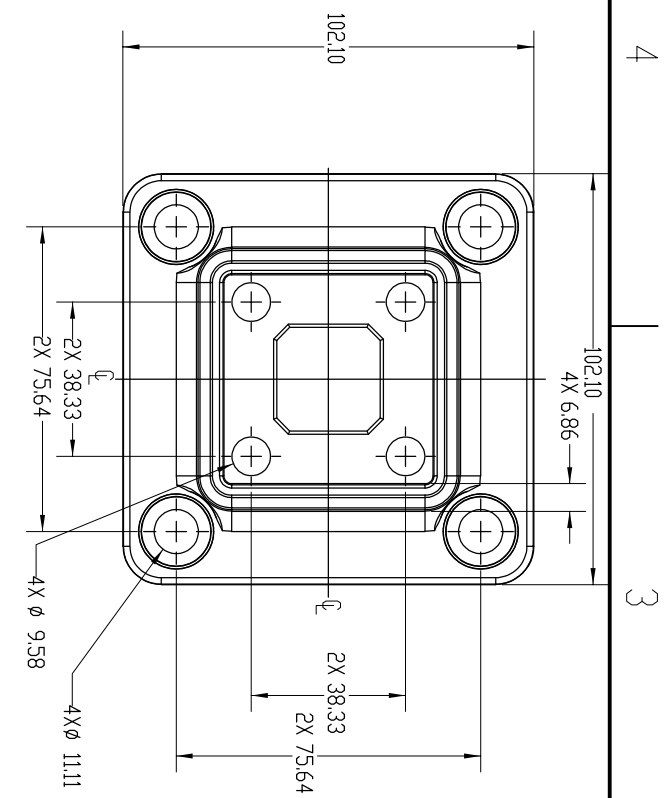


REVISONS - 0 BALLBOONS DENOTE CHANGES			
REV.	DESCRIPTION	DATE	APPROVED
A		6/4/2021	



1  
 ID MARKS  
 (PART NUMBER,  
 COMPANY NAME,  
 REVISION, & DATE)

NOTES:  
 1. ENSURE VERBAGE DOES NOT SHOW THROUGH TO FINISHED SIDE

UNLESS OTHERWISE SPECIFIED		NAME		DATE		 <b>ULTRALOX</b> <small>ULTRAHIGH PERFORMANCE POLYIMIDES</small>
DIMENSIONS ARE IN MM		DRAWN	DRG	6/4/21		
TOLERANCES UNLESS OTHERWISE SPECIFIED		CHECKED				
FRACTIONS: 1/16, 1/8, 1/4, 3/8, 1/2, 5/8, 3/4, 7/8		ENG APPR				
TWO PLACE DECIMAL: ±.254		MFG APPR				TITLE: <b>50.8MM BASE PLATE</b>
THREE PLACE DECIMAL: ±.127		HAND ANGLE PROJECTION				
INTERPRET GEOMETRIC TOLERANCING PER				PROPRIETARY AND CONFIDENTIAL. THE INFORMATION CONTAINED IN THIS DRAWING IS THE SOLE PROPERTY OF ULTRALOX. ANY REPRODUCTION IN PART OR AS A WHOLE WITHOUT THE WRITTEN PERMISSION OF ULTRALOX IS PROHIBITED.		SIZE DWG. NO: <b>B</b>
MATERIAL: A369		FINISH:		SCALE: 1:1		WEIGHT:
DO NOT SCALE DRAWING				SHEET 1 OF 1		REV <b>A</b>

4 3 2 1

A

B

A

B