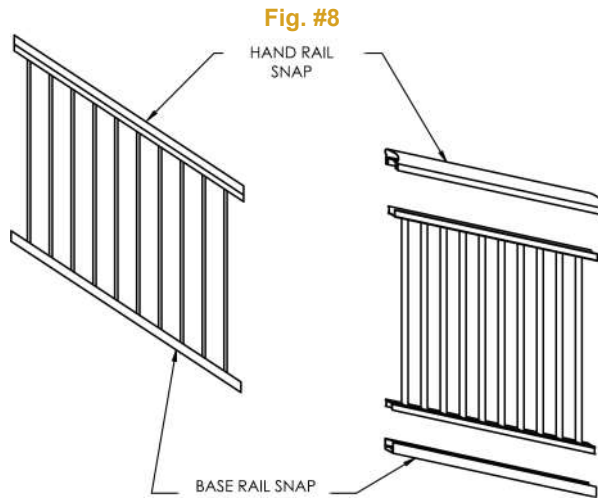
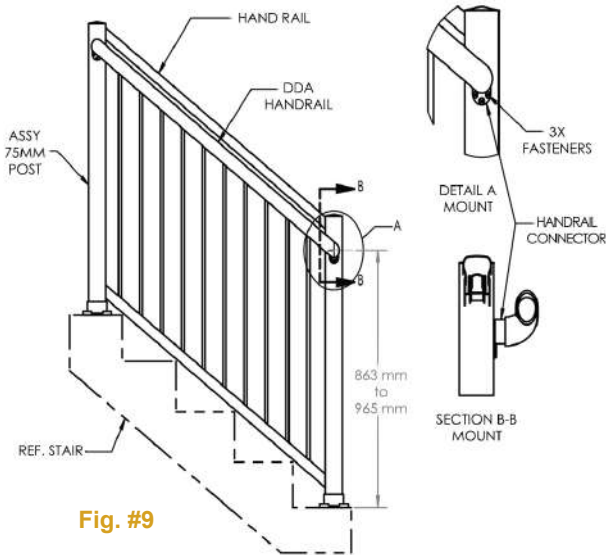


Snap each balustrade snap over the corresponding balustrade channel until properly seated (Fig. 8).



STEP 5 – INSTALLATION OF AS 1428 COMPLIANT HANDRAIL

DDA handrail may be required (Fig. 9) for residential deck installations (check with local building code official). Maximum recommended span between posts is 1830mm on center. See ULTRALOX Disabled Access Handrail Installation Instructions for all installation configurations.



SYSTEM EVALUATION:

1. ULTRALOX® balustrade products have been evaluated for structural integrity by an independent laboratory as per AS1170.1-3.6 Barriers, Table 3.3 with Occupancy type A Domestic & Residential Activities. The ULTRALOX® Aluminium railing systems have been evaluated with 12x20mm Aluminium balusters (6063-T5) assembled using the patented Ultralox Interlocking™ assembly process by which balustrade infill components are presslocked together. ULTRALOX's 8mm tempered glass Balustrade system (ANSI Z97.1 tempered glass) has been evaluated with a total railing span of 1830mm with an ULTRALOX 75mm post attached at each end and secured to a concrete substrate with 4-M8 galvanised studs and Ramset 502 Plus epoxy. When the Balustrade is installed in configurations other than described in the installation instructions, the installation configuration and fastening detail must be specified by a licensed engineer.
2. When ULTRALOX® aluminium railing systems are assembled under the conditions described above, the railings meet the balustrade requirements for a Type A Occupancy in accordance with AS1170.1-3.6 Barriers.
3. When ULTRALOX guardrail is installed in configuration other than described above, each installation shall be designed using numerical methods by a registered professional engineer licensed in the state in which the project is constructed. Sealed shop drawings shall be made available to interested parties to demonstrate compliance with applicable in which the project is constructed.
4. If ULTRALOX® aluminium balustrades are installed contrary to the specific assembly described above and sealed engineering drawings are not available, then the balustrade is intended for decorative purposes only and cannot be used in applications where a structural balustrade system is required by building code.

The diagrams and instructions in this brochure are for illustration purposes only and are not meant to replace a licensed professional. Any construction or use of the product must be in accordance with all local zoning and/or building codes. The consumer assumes all risks and liability associated with the construction or use of this product. The consumer or contractor should take all necessary steps to ensure the safety of everyone involved in the project, including, but not limited to, wearing the appropriate safety equipment. Except as contained in the written limited warranty, ULTRALOX does not provide any other warranty, either express or implied, and shall not be liable for any damages, including consequential damages.



INSTALLATION INSTRUCTIONS

FOR OTHER INSTRUCTIONS AND VIDEOS, VISIT
WWW.ULTRALOX.COM.AU

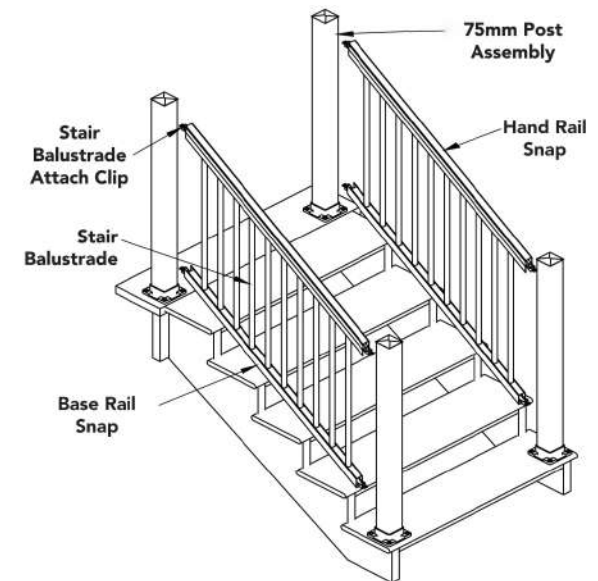
ALUMINIUM STAIR BALUSTRADE INSTALLATION

ITEMS REQUIRED FOR INSTALLATION:

- Appropriate fasteners for mounting posts to deck surface
- Cordless Drill
- Pencil
- Safety Glasses
- Mitre Saw W/Non-Ferrous Blade
- Level
- Tape Measure
- #2 Sq. Drive Bit
- 5mm Drill Bit

IMPORTANT NOTES:

- Actual stair balustrade sizes: 1830mm Balustrades = 1765mm; 2440mm = 2320mm.
- 75mm posts are required to reach 1830mm & 2440mm lengths.
- MAXIMUM POST SPANS ON STAIR RAILING APPLICATIONS IS 1778mm ON CENTER.
- Stair railing panels are shipped at a 37° angle. Panels are adjustable and will accommodate 30-40° stair angles. **CAUTION:** Over adjusting stair panels will cause loose and rattling pickets.
- 45° deck angles require 22.5° clips applied to each side of the post. The 22.5° clip kit is sold **SEPARATELY**.
- Using 2 Posts at top of stairs is recommended if compound angle cut is required.



STAIR INSTALLATION INSTRUCTIONS

For the most recent installation instructions, please visit our website at www.ultralox.com.au

Prior to construction, check with your local regulatory agency for special code requirements in your area. Common residential stair balustrade height is 1050mm. Stair post spans should never exceed 1830mm on center. For all other applications, consult a design professional or a ULTRALOX representative for more information. Read installation instructions thoroughly before proceeding with assembly.

STEP 1 – FITTING STAIR BALUSTRADE

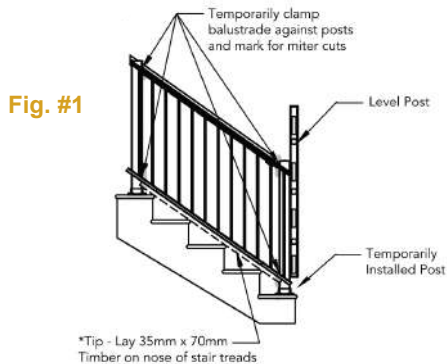
Position stair balustrade alongside 75mm top stair post and temporarily installed 75mm bottom post (Fig. 1).

Position stair balustrade approximately 35mm above stair nosing. *Tip - lay a 35mm x 70mm Timber flat on nose of stair treads. This will allow enough room for installation of bottom snap. Clamp stair balustrade against top and bottom 75mm posts. Using a sharp #2 pencil, mark the stair channels at four (4) locations.

If using a continuous hand rail, after balustrade has been clamped to post, mark cut lines on the H-channel and the 50mm x 50mm post using the bottom of the H-channel to find your angle for post cut. (Fig. 1B)

Remove clamps and cut stair balustrade at all four (4) locations. (Fig. 2) Take care to cut stair channels at appropriate stair angle. Use of Mitre saw with a sharp non-ferrous blade is recommended.

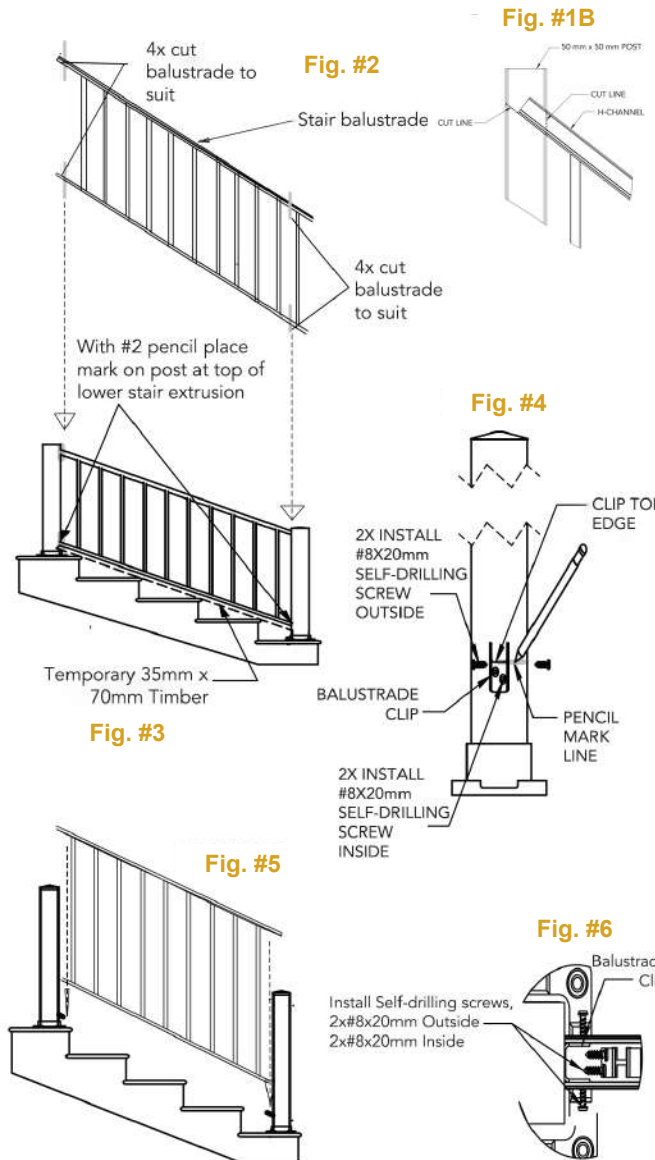
Clean cut areas and apply touch-up paint on all exposed ends.



STEP 2 – INSTALLING STAIR CLIPS ON POSTS

After stair balustrade has been cut to proper size and angle, place the balustrade on the 35mm x 70mm Timber (or hold 35mm above stair nosing) board, between the 75mm posts. Use a #2 sharp pencil, draw a line across the top of the lower baluster channel, 2 places (Fig. 3).

Remove balustrade and bottom post. Attach stair balustrade attach clips at marked location as per (Fig. 4) and fasten with #8x20mm Self-Drilling screws.



STEP 3 – SECURING STAIR BALUSTRADE TO 75mm x 75mm POSTS

Once the stair balustrade attach clips have been installed, re-attach the lower 75mm post to the bottom step or landing. Place the stair balustrade onto the lower stair balustrade attach clips (Fig. 5).

When lower extrusion is fully seated on lower clips, insert stair balustrade attach clips into upper extrusion. Secure attach clips to post with 2-#8x20mm Self-drilling screws, then secure upper extrusion to stair balustrade attach clip with 2-#8x20mm Self-drilling screws. Repeat this same procedure for bottom post, upper extrusion (Fig. 6).

When upper extrusion is secured to attach clips, return to lower extrusion and secure lower extrusion to lower stair clips with 2-#8x20mm Self-Drilling screws at upper post and 2-#8x20mm Self-Drilling screws at lower post.

STEP 4 – INSTALL HAND AND BASE SNAP COVERS

Following the same angle as the secured stair balustrade, clamp or hold hand/base rail snaps against 75mm posts (Fig. 7). Using a sharp #2 pencil, mark the hand/base rail snaps at all four (4) locations.

Remove clamps and cut hand/base rail snaps at all four (4) locations. Take care to cut snaps at appropriate stair angle. Use of Mitre saw with a sharp non-ferrous blade is recommended. Cut 2mm less than opening size. Clean cut areas and apply touch-up paint on exposed ends

