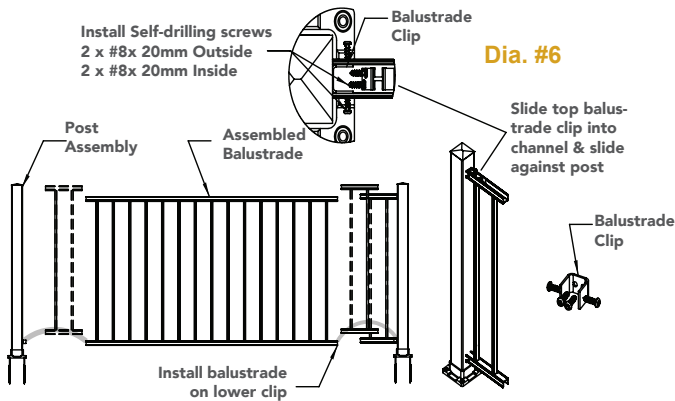


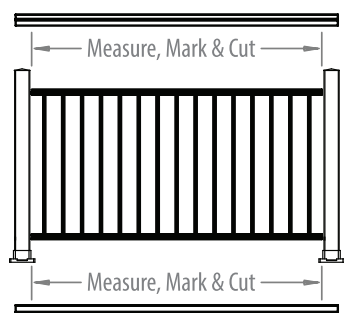
## STEP FOUR - Secure Deck Balustrades to Posts

- Slide bottom channel of pre-cut balustrade on to lower clip. (Dia. #6)
- Insert clips into top channel of balustrade on each end.
- Using (4) - #8 x 20mm Self-drilling screws, attach the upper 2-clips to the post.
- Using (8) - #8 x 20mm Self-drilling screws, secure the upper and lower clips to the balustrade.

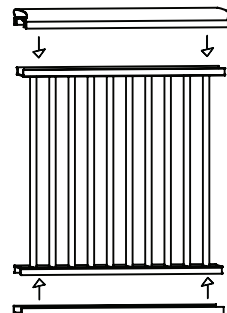


## STEP FIVE - Cut and Install Hand and Base Rail Snaps

- Measure between posts at the top and bottom. (Dia.#7)
- For Continuous Hand Rail, measure opening from outside of 75mm post to 75mm post.
- Cut top & bottom snap covers 2mm less than opening.
- Clean cut areas and apply touch-up paint on all exposed metal.
- Snap each balustrade snap over the corresponding balustrade channel until properly seated. (Dia. #8)



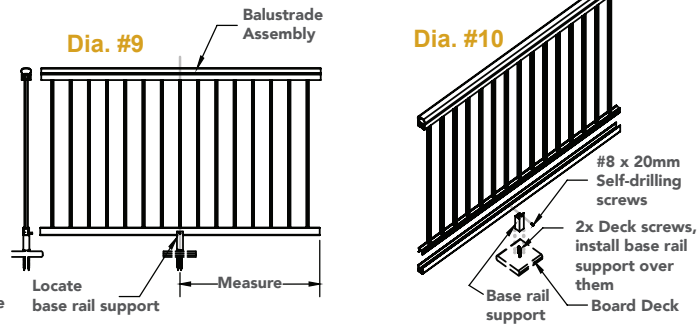
Dia. #7



Dia. #8

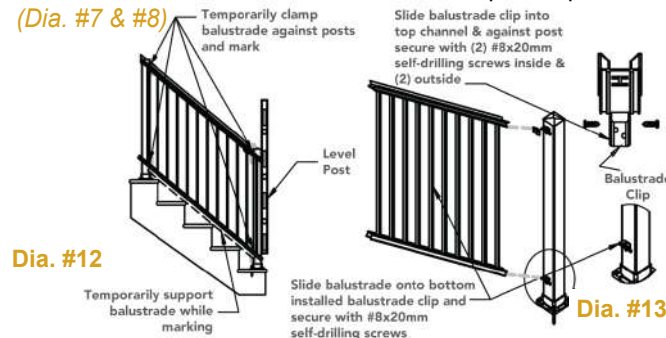
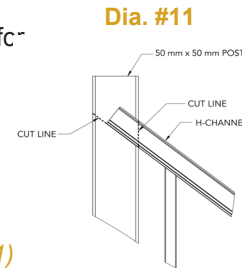
## STEP SIX - Install Base Rail Support

- For openings greater than 1220mm, install base rail support under center of base rail. (Dia. #9)
- Slide base rail support under base rail and mark.
- Install two deck screws at location of base rail support, install base rail support over screws.
- Using (1) - #8 x 20mm Self-drilling screws, secure the base rail support to base rail. (Dia. #10)




## STEP SEVEN - Install Stair Balustrades

- Hold or temporarily clamp stair balustrade against posts and adjust for equal end spacing (Dia. #12)
- Mark the balustrade at 4 locations of post connection. If using a continuous hand rail, also mark cut lines on the 50mm post using the bottom of the H-channel to find your angle for post cut. (Dia. #11)
- Mitre cut balustrade at marked locations and place balustrade in opening. Cut balustrade 2mm less than opening.
- Mark posts for location of base rail clips.
- Remove balustrade and install lower clips. (Dia. #13)
- Clean cut areas & apply touch-up paint on exposed metal.
- Place cut balustrade between posts, push balustrade onto bottom clips, place clips into upper channel, attach clips to post and secure balustrade to all clips as per Step 4. (Dia. #6)
- Mitre cut and install hand and base rails as per Step 5. (Dia. #7 & #8)



Dia. #12

Dia. #13





# INSTALLATION INSTRUCTIONS

FOR OTHER INSTRUCTIONS AND VIDEOS, VISIT  
[WWW.ULTRALOX.COM.AU](http://WWW.ULTRALOX.COM.AU)

## ALUMINIUM BALUSTRADE INSTALLATION

### SUGGESTED TOOLS:

Cordless Drill	Level
Pencil	Tape Measure
Safety Glasses	#2 Sq. Drive Bit
Mitre Saw W/Non-Ferrous Blade	5mm Drill Bit

### IMPORTANT NOTES:

- Actual picket panel sizes: 1830mm Balustrades = 1765mm ; 2440mm Balustrades = 2320mm.
- 75mm posts are required to reach 1830mm & 2440mm lengths.
- MAXIMUM POST SPANS ON STAIR RAILING APPLICATIONS IS 1778MM ON CENTER.
- Stair balustrades are shipped at a 37° angle. Balustrades are adjustable and will accommodate 30-40° stair angles. **CAUTION:** Over adjusting stair balustrades will cause loose and rattling balusters.
- 45° deck angles require 22.5° clips applied to each side of the post. The 22.5° clip kit is sold **SEPARATELY**.
- Using 2 Posts at top of stairs is recommended if compound angle cut is required.

**NOTE: IF INSTALLING POST LIGHTING, WIRING MUST BE INSTALLED PRIOR TO SECURING POSTS TO DECK/STAIR SURFACE AND INSTALL IN HAND RAIL SNAPS.**

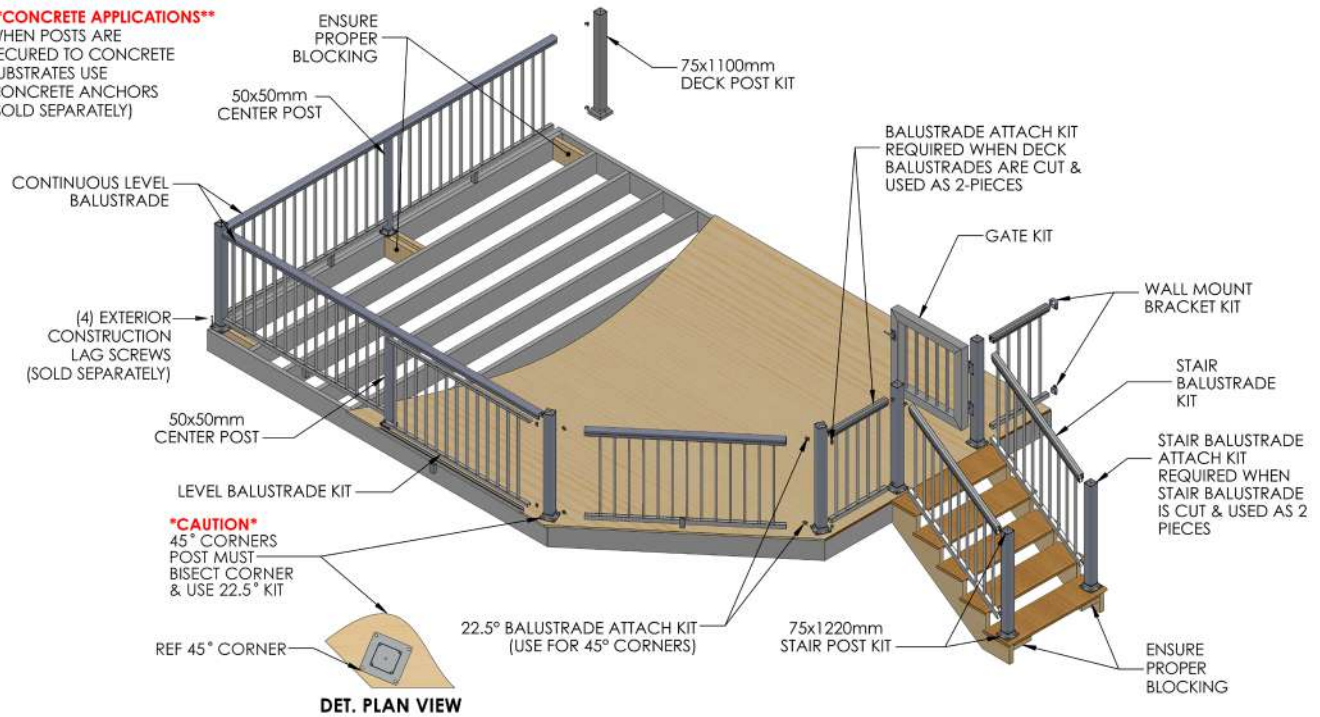
It is the responsibility of the installer to meet all local code requirements and obtain all required building permits. The installer should determine and implement appropriate installation techniques for each installation situation. ULTRALOX® or its reseller shall not be held responsible for improper or unsafe installations.

## IMPORTANT INFORMATION

- Please read all instructions completely before starting any part of the installation. Always make sure to visit [www.ultralox.com.au](http://www.ultralox.com.au) to ensure you are viewing the most current installation instructions, care and cleaning, technical information and more.
- IULTRALOX® Balustrades should be installed using the same good building principles used to install wood, composite, or metal balustrade and in accordance with the local building codes and the installation guidelines included below.
- ULTRALOX® accepts no liability or responsibility for the improper installation of this product.
- IULTRALOX® Balustrades may not be suitable for every application and it is the sole responsibility of the installer to be sure that ULTRALOX® Balustrade is fit for the intended use. Since all installations are unique, it is also the installer's responsibility to determine specific requirements in regards to each balustrade application.
- ULTRALOX® recommends that all applications be reviewed by a licensed architect, engineer or local building official before installation. If you have any questions or need further assistance, please call ULTRALOX Customer Service at (02) 8646 3377, or visit our website at [www.ultralox.com.au](http://www.ultralox.com.au)
- ULTRALOX® Balustrade is tested as a whole system and should be used that way. It is not intended to be used in conjunction with other balustrade systems or fasteners.
- The following Installation Guidelines are applicable for installation of ULTRALOX Balustrade only.
- IMPORTANT: Make sure the DRIVE TOOL/DRILL is configured or set to use the SCREW setting when driving and/or tightening all FASTENERS.
- SAFETY: Always wear goggles when handling, cutting, drilling and fastening materials.
- Failure to install this product in accordance with applicable building codes and ULTRALOX® Balustrade's written Balustrade Install Guide may lead to personal injury, affect balustrade system performance and void the product warranty.
- The buildup or generation of static electricity is a naturally occurring phenomenon in many plastic based products such as carpeting, upholstery, and clothing, and can occur on alternative decking under certain environmental conditions. This static electricity can discharge once contact is made with hardware, balustrade, or other conductors of electricity.

## \*\*CONCRETE APPLICATIONS\*\*

WHEN POSTS ARE SECURED TO CONCRETE SUBSTRATES USE CONCRETE ANCHORS (SOLD SEPARATELY)

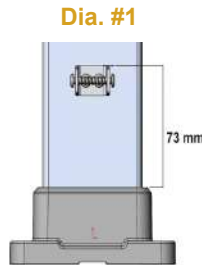


## STEP ONE – Determine necessary posts required and prepare (end, center or corner)

### Install Lower Deck Balustrade Clips – Two Options:

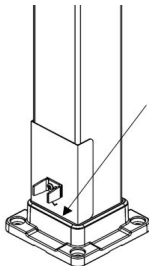
#### Option A - When No Lower Balustrade Clip Jig Is Available

- Measure 73mm from top of casting shoulder and place a pencil mark for location of the top edge of the balustrade clip. (Dia. #1)



#### Option B - Using Lower Rail Clip Jig

- Place lower balustrade clip jig (w/arrow facing base plate) on top of base plate upper edge. (Dia. #2)
- Place clip in hole and fasten with (2) - #8x20mm Self-drilling screws



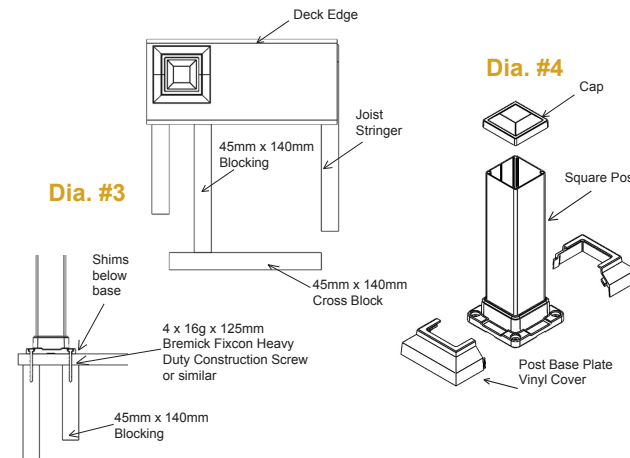
#### Dia. #2

Rest Jig on Base Plate – Arrow Down  
Place Clip in hole, hold clip firmly while installing (2) Self-drilling screws

## STEP TWO - Securing Posts to Deck

Install proper post blocking as per (Dia. #3). Use proper attachment screws or anchors as directed below. (Deck screws at each post location, are not provided with kits).

- With 5mm drill bit, pre-drill through deck boards and into blocking.
- Level and plumb post using shims.
- Secure posts to deck with suggested screws.
- Install post cap and post base vinyl plate cover. (Dia. #4)



## STEP THREE - Cut Deck Balustrades

- Clamp or hold balustrade against post, adjust for equal end spacing. (Dia. #5)
- Mark the hand and base rails.
- Cut balustrade 2mm less than opening size (1mm each end).
- Clean cut areas and apply touch-up paint on exposed ends.

